

# Dry imaging cameras

IK Indrajit, Aftab Alam, Hirdesh Sahni, Mukul Bhatia, Samaresh Sahu

Department of Radiodiagnosis and Imaging, Command Hospital (Air Force), Bangalore – 560 007, India

**Correspondence:** Dr. IK Indrajit, Department of Radiodiagnosis and Imaging, Command Hospital (Air Force), Bangalore – 560 007, India.  
E-mail: inji63@gmail.com

## Abstract

Dry imaging cameras are important hard copy devices in radiology. Using dry imaging camera, multiformat images of digital modalities in radiology are created from a sealed unit of unexposed films. The functioning of a modern dry camera, involves a blend of concurrent processes, in areas of diverse sciences like computers, mechanics, thermal, optics, electricity and radiography. Broadly, hard copy devices are classified as laser and non laser based technology. When compared with the working knowledge and technical awareness of different modalities in radiology, the understanding of a dry imaging camera is often superficial and neglected. To fill this void, this article outlines the key features of a modern dry camera and its important issues that impact radiology workflow.

**Key words:** Dry imagers; dry imaging devices; direct digital imaging; dry camera; dry laser; laser imagers; laser printers; wet laser camera; laser; photothermography; photothermographic films; hardcopy devices; hard-copy cameras; multiformat; film transport; densitometer; internet protocol addresses; DICOM print; feed to read image access time; access time of first sheet; Society of Motion Picture and Television Engineers monochrome test pattern

## Introduction

Dry imaging cameras are important hard copy devices in radiology. Termed as dry imaging devices, laser imagers, laser printers, direct digital imagers or hard-copy cameras,<sup>[1]</sup> they create multiformat images of digital radiology modalities.

Fundamentally, hard copy devices are classified based on laser and non-laser technology [Figure 1].<sup>[2]</sup> The *laser* based devices are a) wet, b) dry, and c) laser induced thermal technologies.<sup>[3]</sup> The *non-laser* based devices are divided into a) monitor based, b) thermal print head and c) ink jet technologies. Thermal print head technologies are either direct or dye sublimation technologies. In practice, dry imaging camera are widely accepted, especially the direct thermal imaging and laser optic technologies.

Dry imaging cameras were introduced in 1984 by 3M, followed by the launch of “dry” laser imager technology in

1995 by Imation.<sup>[2]</sup> The functioning of a dry camera involves concurrent processes digital, mechanical, thermal, optic, electrical and radiographic processes.

## Dry Versus Wet Imaging Camera

Hard copy cameras are categorized as dry or wet, depending on the type of the development process of the films [Figure 2].<sup>[4]</sup> In the case of a dry imaging camera, the development process is accomplished by heating a dry film. In comparison, a wet camera utilizes conventional chemical development either by docketed or remote processors. Both techniques use silver grain emulsion.<sup>[3]</sup> Commercially available hard copy cameras and films are outlined in Table 1.

A dry camera offers many advantages. There is no wet processor required; it provides reduced maintenance and plumbing costs; and it eliminates the requirement for chemicals which reduces environmental pollution. Current global trends indicate a growing surge in the purchase of dry imaging cameras, with a reversal in the ratio of sales from wet-to-dry.<sup>[5]</sup>

## Radiography Processes in a Hard Copy Camera

**a. Wet camera:** It is based on conventional chemical

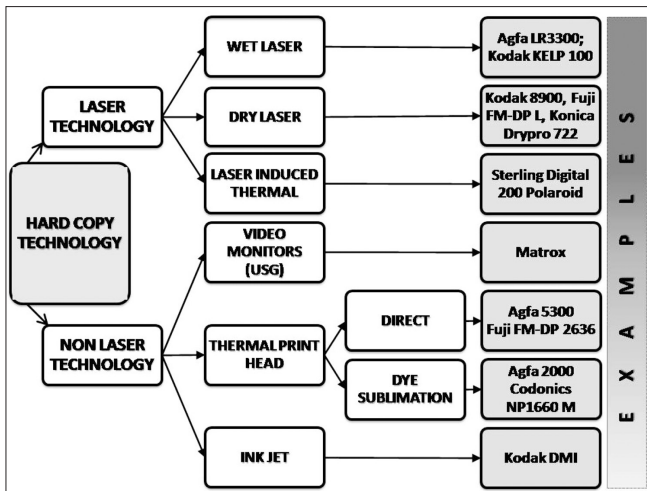
### Access this article online

#### Quick Response Code:

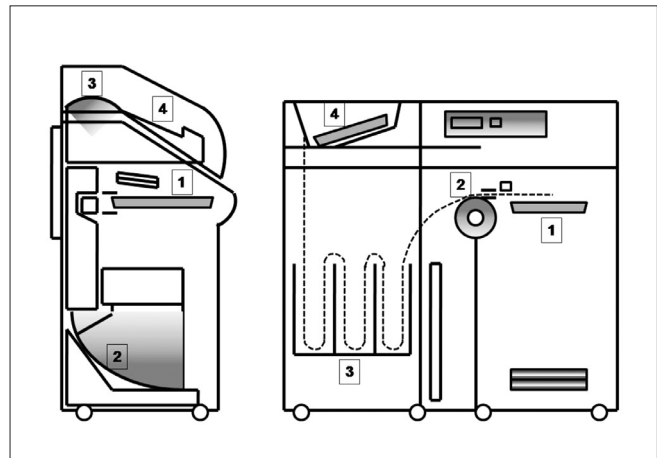


**Website:**  
www.ijri.org

**DOI:**  
10.4103/0971-3026.82282



**Figure 1:** Types of hard copy devices: Hard copy devices are broadly classified as the ones based on laser and non-laser based technology. The detailed classification with examples are outlined



**Figure 2:** After exposure, the dry laser film moves to (3) and participates in photothermography by being exposed to controlled heat at 120–140°C for a few seconds, which converts a latent image to the permanent image. In a wet laser camera, film from (1) is exposed to laser beam (2). The film is subject to conventional radiography process including a washing procedure (3) and thereafter sent to a receive tray (4)

**Table 1: Commercially available hard copy cameras and films<sup>[45-49]</sup>**

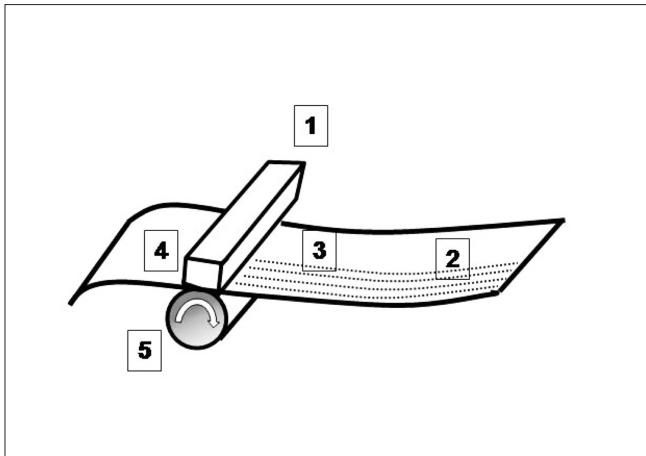
Vendor	Items	Dry chemistry	Wet chemistry
Agfa	Camera	Drystar 2000, 2000C, 3000, 4500, 4500M, 5300, 5500	LR3300, LR5200
	Films	Drystar TS 2, Mammo, DT 1, DT 2, DT2 Mammo	Scopix CR 5, LT 2, LT-IR, CEA RH, CEA MRB
Fuji	Camera	DryPix 1000 1000, 3000, 4000, 5000, 7000, FM-DP L, FM-DP3543	FL-IM, FL-IM D, FL-IM 2636N, FL-IM 3543N
	Films	DI-HL (blue base) DI-HLc (clear base), DI-HT	FL-IM3543N
3M Imation	Camera	DryView 8300, 8700	P831, 952plus, 959, 959XL, 959DP Dual Printer, 969HQ, 969HQS, 969HQT, 3M 969DP
	Films	DryView Blue, Blue Plus, Clear	Ektascan HQB 4873
Carestream/Kodak	Camera	Dry Laser 5800, 8150, 5850, 8100, 8200, 8300, 8500, 8610, 8700 E, 8900	Ektascan KELP 100, XLP 100, 1120, 2180
	Films	DryView Blue, Blue Plus, Blue Plus Premium, Clear, Mammography	Ektascan HN EHG-15 (blue) EHG-15 (clear)
Konica	Camera	DryPro 832, 771, 722, 751, 752	SRX-201A, SRX-701, LI-10, LI-21
	Films	SD-P, SD-PC, SD-Q, SD-QC, CM-H2 Mammography	MG-SR Plus

development, using a processor. The important operational issue is temperature stability of the developer and dryer. An automatic replenishment meter ensures a timely supply of developer and fixer. Self-rinsing minimizes chemical carry, that can occur sometimes at the rollers.<sup>[6]</sup> Standby timers, auto drain function, self-diagnostic software and microprocessor based circuitry are other advances in wet chemistry cameras. Finally, processing cycle selection enables flexible selection of a 90, 120 or 180 s cycle for rapid, standard or extended processing, respectively.<sup>[6]</sup>

**b. Direct thermal print camera:** It is a single-stage process with black and white densities created by a thermal print head [Figure 3].<sup>[4]</sup> In thermal print head technology, tiny heaters produce images. Digital signals from various modalities are processed and converted into electrical

pulses. These are then transferred to a thermal print head, whose microscopic heat resistor elements convert electrical energy into heat energy. A thermal sensitive film passes close to the print head, with transfer of heat from each element. A chemical reaction results and a pixel is developed. Different shades of gray of a modality image generate varying strengths of electrical signals. The outcome of this modulation of electrical signals leads to corresponding changes in the gray level of the print images.

**c. Dry laser camera technology:** It is a two-step process involving a laser diode optic system and photothermography [Figure 4]. The creation of a latent image using either optics or heat is followed by its conversion to a true image by photothermography.<sup>[7]</sup> The latent image is initiated by a laser beam that releases

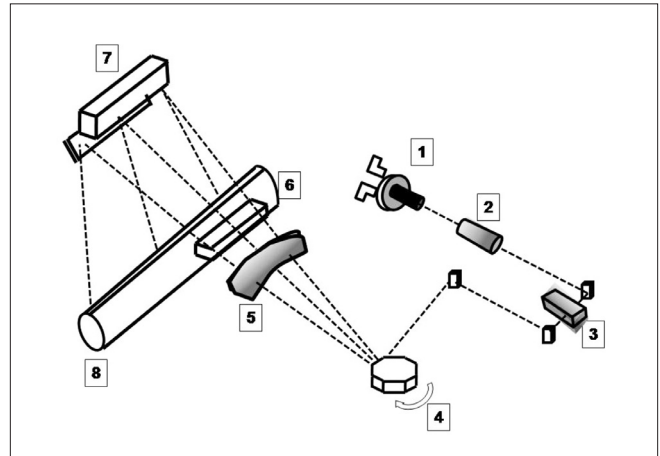


**Figure 3:** Direct thermal print technology: A thermal print head fitted with tiny heaters produces images. The heaters convert the supplied electrical energy into heat energy which forms images. The film is sensitive to heat only. 1: Thermal Print Head, 2: Image Scanning Line, 3: Thermal Sensitive Media, 4: Thermal Heat Element, 5: Pressure Roller

photons into the sensitive layer during exposure, leading to the conversion of silver ions (Ag<sup>+</sup>) into metallic silver. The latent image on a film depends on the intensity of the laser beam, which is modulated in proportion to the intensity of the signal of the image data received. The film absorbs thermal energy for 15 s from a rotating drum whose temperature ranges from 120 to 140°C. By a catalytic process, the thermal energy acts on the latent image to develop silver atoms on neighboring silver behenate crystals. This forms a “modulated density” of visible black metallic silver particles on a film.<sup>[2]</sup>

### Features of a Direct Thermal Print Camera

- a. **Parts:** A direct thermal print camera has the following important parts:<sup>[8]</sup>
  - i. film pickup area: handles up to five different film formats
  - ii. vacuum pump with valves: employed for lifting a film
  - iii. film transport: utilizes rollers, driven by a gearbox module
  - iv. thermal print head: operates at 52.5°C<sup>[8]</sup>
  - v. drum: maintains near contact with thermal head, while printing a film
  - vi. densitometer: performs a density check to confirm image quality and
  - vii. film receiving tray/sorter: for sorting film according to modality and patient records.
- b. **Printing in a direct thermal print camera**  
 A vacuum pump lifts a single film from a supply cartridge, at the pickup unit. The film is fed into rollers driven by a gearbox module. The rollers move the film between thermal print head and a drum which are in

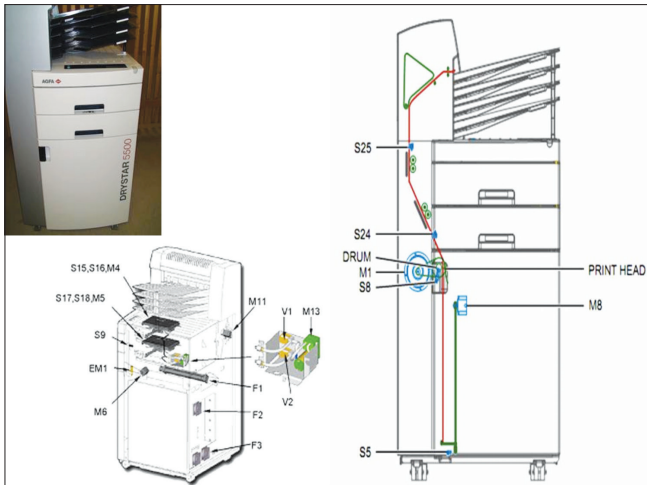


**Figure 4:** The laser optical system. 1: Laser, 2: lens, 3: laser modulator, 4: polygonal mirror, 5: toroidal lens, 6: mirrors, 7: film transport, 8: rollers

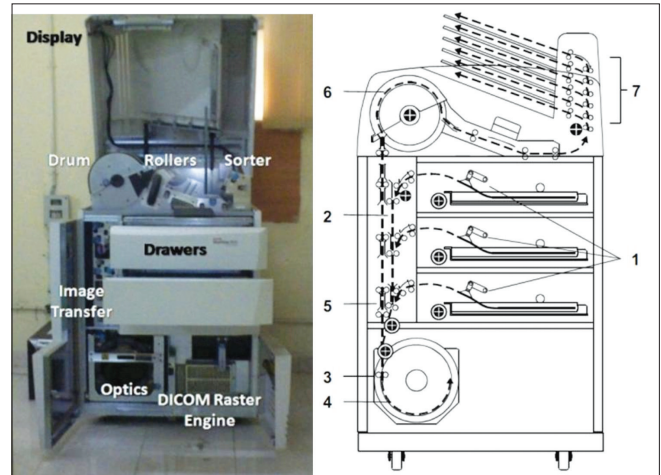
close apposition [Figure 5]. The heat generated by a thermal print head develops the film. Output rollers send the developed film to the sorter bin.

### Features of a Dry Laser Camera

- a. **Parts:** A dry laser camera has the following important parts:
  - i. film supply drawers: handle many digital modalities using drawers, with different films sizes<sup>[9]</sup>
  - ii. film transport: rollers transport film sizes reliably
  - iii. film platen: a flat glass pane, which positions and secures a film for printing<sup>[7]</sup>
  - iv. optics module: a laser that writes a film on a platen
  - v. film processor: heat at around 124°C develops an exposed image<sup>[7]</sup>
  - vi. densitometer: controls image-quality parameters like contrast and density for consistency<sup>[10]</sup> and
  - vii. film receiving tray/sorter: receives processed films after a check by a densitometer.
- b. **Printing in a dry laser camera**  
 A typical print sequence in Carestream/Kodak laser camera is outlined in Figure 6.<sup>[7]</sup> A suction cup lifts a single film out of supply cartridge and feeds it into vertical transport rollers. Film moves to a film platen (flat glass pane) which is the exposure area. Platen holds the film while the scanner writes the image onto the film. Film is transported over a processor drum, wherein the heat develops the film. Film transport rollers move the exposed film through densitometer to a sorter and out to bins or alternatively placed at the top hood.
- c. **Laser optics**  
 Laser or “light amplification by stimulated emission of radiation” is based on natural oscillations in atoms, generating a narrow focused beam of light.<sup>[11,12]</sup> It has advantages like a single wavelength, a high intensity, and travels in parallel path with no focusing.<sup>[13]</sup> In a laser camera, a laser beam generates sharp, high-resolution



**Figure 5:** The print sequence in a dry Imaging camera using direct thermal imaging (Agfa Drystar 5500). The key components handling the unexposed film are: M = motors, S = sensors, V = vacuum



**Figure 6:** The print sequence in a dry imaging camera using laser (Kodak DryView 8900). The key components handling the unexposed film are 1: suction cups at film supply cartridge, 2: vertical transport rollers, 3: platen rollers, 4: platen, 5: vertical transport rollers, 6: processor drum; 7: camera hood/bins

images with a wide dynamic range of many gray levels. Lasers in a laser camera are differentiated on the basis of their wavelengths. Helium neon (HeNe) laser operates at 633 nm, while “solid state” lasers operate in Visible (670 nm) and Infra Red (810 nm) regions.<sup>[2]</sup> Cameras based on HeNe laser are red sensitive laser cameras which use a visible red laser beam to expose the film, as in Kodak Ektascan Cameras.

The IR laser cameras use infrared (invisible) laser beam to expose the film.<sup>[4]</sup> Nearly all IR based laser cameras use solid-state diodes, whereas most red sensitive laser cameras use gas based laser guns.<sup>[4]</sup>

Laser scanning occurs at 600 lines/s at right angles to the transporting plane of the film.<sup>[14]</sup> By fast modulation of laser beam, a scanning speed of more than 2 million dots/second is achieved.<sup>[2]</sup> A rotating polygonal mirror with changing angle of reflection and a continuously moving film ensures formation of a complete latent image.<sup>[14]</sup>

### Computers and Network Issues

For establishing a network connection between the modalities and a dry camera, Internet Protocol (IP) is commonly used. Few parameters needed are: Printer IP address, Hostname, Domain, Subnet mask, Router IP address, Printer AE title Domain name and Alert mailing. Amongst these, the IP address is a unique identifier for computers at radiology departments, having four octets, with each octet representing a number from 0 to 255, as in 192.168.10.1.<sup>[15]</sup> In TCP/IP protocol, modalities and dry camera are called Application Entity (AE), a term for defining a particular user.

The hardware in radiology networks connecting modalities, dry camera and other accessories is 10/100/1000 BaseT

Ethernet.<sup>[16]</sup> The networks connect via CAT5 UTP cables terminating in a RJ-45 plug.<sup>[16]</sup> Networks offer many value added camera functions like access status, information on performance, and real-time response with trend analysis for service issues.<sup>[16]</sup>

A seamless connectivity between modalities and a dry camera requires their conformance to attributes specified in DICOM.<sup>[16-18]</sup> Few important DICOM classes are listed below:

- DICOM Send: It ensures selection of patient images and transmitting them to dry camera. It permits sending images of multiple modalities to a single digital device.
- DICOM Print: This allows user selection of a DICOM printer in a network. It facilitates adjustments of image supporting printer settings.
- Basic Grayscale Print Management Meta SOP Class: This controls variables of a digital film, like pixel aspect ratio, samples per pixel, rows and columns of pixels, window center and width, number of copies, film size, etc.
- Presentation LUT SOP Class: It transforms and formats the pixel values into *P*-values, which is device and vendor independent. The advantage of *P*-value is accurate reproduction of printed image faithfully matching a displayed image at a monitor.<sup>[19]</sup>
- Basic Annotation Box SOP Class: This is a DICOM term for annotation text printed on the film.
- Verification SOP Class: This allows status information of a dry camera and creates a film session SOP instance.

### Resolution in Dry Imaging Camera

Few salient functioning parameters of a dry imaging camera include:

- Dmax: Dmax, denoting maximum density, is the density of an area on a film, which has received maximum

exposure. Each modality supported by a dry camera is allotted a Dmax value. Expressed as a single integer whose range is 0 (white) to 4 (black), a shift from a value 2 to 3 represents a tenfold increase in the darkness of a film.<sup>[20]</sup> For mammography images, Dmax values up to 3.6 are needed for the demanding image quality requirements.<sup>[21]</sup>

- b. Geometrical resolution: It is expressed as dots per inch (dpi) or pixels per inch (ppi). DPI refer to printed dots and the space between them, whereas PPI refer to the square pixels in a digital image.<sup>[22]</sup> DPI refer to resolution of images printed from laser or inkjet printer, where PPI refer to resolution of images on a monitor, camera or scanner.<sup>[23]</sup> A representative term 600 dpi indicates printers printing 600 tiny dots across and vertically each side of a square inch.<sup>[22]</sup>
- c. Laser spot spacing size: In dry laser camera, the laser diode source is a spot size measured in microns, which generates a beam of 12–15 spots of light/mm.<sup>[13,24]</sup> When such a light source scans a 17 × 14 inch film, it creates an image with 4000 × 5000 light spots, wherein each light spot represents a pixel.<sup>[13]</sup> This forms sharp images with very high resolution.
- d. Gray level and bitdepth: Gray level is the brightness of a pixel and is represented in an image by the number of different shades of gray that can be stored and displayed by a computer system. Bitdepth is defined as the number of bits used to encode the signal intensity (grayscale) of each pixel of an image.<sup>[25]</sup> The two are linked mathematically as “bitdepth raised to the power of two”. Accordingly, the total number of gray levels for 8 bitdepth is 256, for 10 bitdepth is 1024 gray levels, and for 12 bitdepth is 4096 gray levels.<sup>[25]</sup> The value 256 (8 bitdepth) ranges from 0 to 255, with 0 and 255 being black and white, respectively. A pixel can be assigned a single value within this range to correspond to its black, gray and white.<sup>[25]</sup> Most of the currently available cameras function with 14–16 bitdepth.

## Workflow Issues

A dry camera is an important hardware in a radiology department, promoting workflow efficiency. The ideal attributes of a dry camera include a) ease of operation, b) operations in daylight, c) simplified user panel, d) options of handling multiple film sizes/modalities and e) minimized maintenance.<sup>[2]</sup>

Few important performance parameters related to the workflow of a dry camera are detailed below:

- a. Access time of first sheet: Also called “time to first print”, this represents the launching time of a dry camera. As an illustrative example, the Agfa Drystar™ 5503 takes 23 s per sheet at a speed of 160 sheets/hour for 8 × 10 inch films.<sup>[26]</sup>
- b. Feed to read image access time: This is the time taken from “cassette insertion” to acquire finally a “processed, dried and ready to read film” by a radiologist.<sup>[9]</sup>
- c. Hourly throughput: It is the number of films printed per hour. In general, the range is from 100 to 200 films per hour. The throughput of smaller sizes is expectedly faster than that of larger sizes.<sup>[27]</sup>
- d. Rapid cycle time: It is the time taken for unloading and reloading film cassettes, as in 16 s in the case of Konica DayStar DS-5 camera.<sup>[9]</sup>

Newer improvements from various vendors which enhance workflow include the following:

- a. Film or cartridge recognition technology: It enables dry camera to recognize film type, size, as well as the number of sheets remaining.<sup>[28]</sup>
- b. Use of inbuilt densitometer: Automatic image quality control (Carestream/Kodak) and automatic self-calibration (Agfa Drystar) prints a multiple step, grayscale pattern for measuring densities using an internal densitometer, to maintain consistency from film to film.<sup>[24,29]</sup> A feedback system with a barcode reader compares with control values for performing adjustments.<sup>[30]</sup>
- c. Automatic energy save mode: Dry camera that works continuously can be kept in hibernation by manual settings. “On” time is set prior to its expected use to allow its temperature to stabilize.<sup>[24]</sup>
- d. Advanced variable response (A-VR) spline interpolation: These algorithms used in Fuji DryPix camera generate a variety of film formats and distinguish image data from alphanumeric characters.<sup>[31]</sup>
- e. Smooth curve arranging (SAR): It offers grayscale reproduction optimized for modalities as well as for the needs of individual radiologists.<sup>[30]</sup>

## Few Special Configurations of Dry Imaging Camera

- a. The larger dry cameras are used for centralized workflow in a network, as exemplified by Agfa Drystar 5503/5500, Fuji DryPix 4000/5000, Carestream/Kodak DryView 6800/8150/8900 and Konica DryPro 793.
- b. Tabletop versions are compact models with small footprints, as in Agfa Drystar 5300, Fuji DryPix 3000 and Carestream DryView 5800.
- c. Similarly, desktop models are compact, as in Agfa Drystar 4500 M, Konica DryPro 832 and Carestream DryView 8610.
- d. Dry camera used for mammography images print with sharp resolution of over 500 ppi, as in Agfa Drystar 4500 M, Carestream DryView 5850, and Konica DryPro 873.<sup>[32,33]</sup> Special mammography dry films are needed, however, to bring out the subtle gray-level changes.
- e. Finally, dry cameras for dedicated 8” × 10” film

applications have been earlier manufactured, as in Carestream 8300, for modalities like ultrasound, nuclear medicine, etc.

### Quality Control in Dry Imaging Camera

Dry cameras are periodically tested in departments by using a “Society of Motion Picture and Television Engineers (SMPTE)” test pattern generated by the dry camera software. An SMPTE test pattern optimally adjusts a dry camera to print radiographic films as seen at a monitor.<sup>[34,35]</sup> The SMPTE pattern provides both qualitative and quantitative information of image display systems, dry cameras as well as variations in optical density of dry films.<sup>[34,36,37]</sup> Manual or automatic testing sets the system density of printer as well as radiographic film sensitometry values like Base + Fog density, Mid density, density difference (DD), and Dmax [Figure 7].<sup>[38]</sup> Lastly, the periodic cleaning of print head and self-checks on laser gun are also important aspects of quality control.

### Radiographic Films for Dry Imaging Camera

Dry photothermography film provides fine detail, lower noise and sharp images with exceptional spatial and contrast resolution.<sup>[39,40]</sup> It has three components: a) a light sensitive compound, usually silver halide; b) reducible silver salt of a long-chain carboxylic acid like silver behenate, which is the source of developable silver; and c) reducing agents which on application of heat form a metallic silver image.<sup>[41,42]</sup> The silver content is typically low, ranging less than 0.2 g/m<sup>2</sup>, with individual particle sizes of 0.1–1.2 μm. The polyester is a polyvinyl butyral base of 0.15–0.20 mm thickness.<sup>[2]</sup> The film base is either blue or clear.

Infrared films are sensitive to infrared radiation, some

ultraviolet radiation, and to all wavelengths of visible radiation.<sup>[43]</sup>

Unexposed films are recommended to be stored in a cool, dry place at 50–70°F with proper shielding from X-rays, gamma rays, or other penetrating radiation.<sup>[40,44]</sup>

### Radiographic Film Artifacts in Dry Imaging Camera

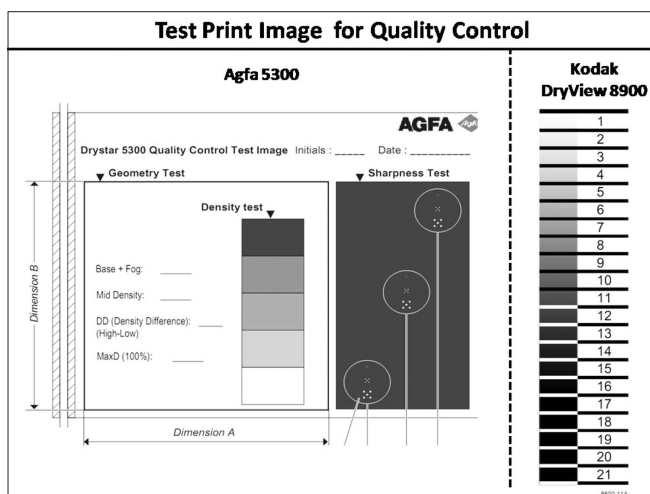
Few artifacts from a dry camera may be encountered in practice. Dust or unevenness of the transportation roller causes lines traversing a film. Likewise, dust located at drum may result in artefactual lines. Uneven density at one side of the image or density too low compared to middle of an image is due to suboptimal print head operation, requiring its calibration. In laser camera, when the optic assembly has dust, it results in absence of any image during printing. Similarly, when dust is located at the DICOM raster engine, the image may be a half vertical print [Figure 8].

### Summary and Conclusion

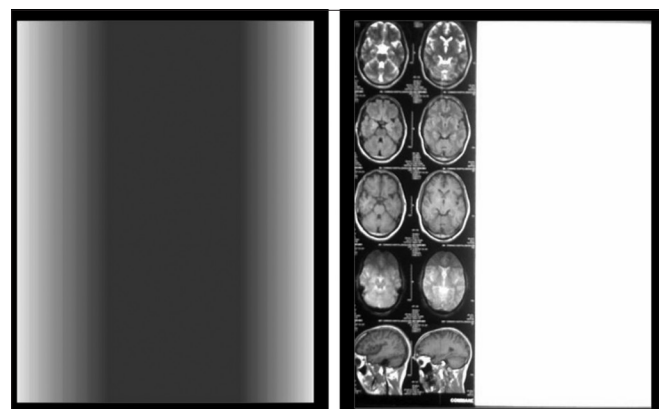
The functioning of a dry camera involves concurrent processes in areas of diverse sciences like computers, mechanics, thermal energy, optics, electricity and radiography. It is important to understand that all hard copy devices including dry imaging camera are not similar. When compared with the working knowledge and technical awareness of equipments in radiology, an understanding of hard copy devices including dry imaging camera is often superficial and neglected. To fill this void, this article outlines the key features of a dry camera and its impact on radiology workflow.

### Acknowledgment

The authors wish to convey their appreciation to Agfa and Carestream technical support teams for their valuable inputs.



**Figure 7:** Test print image for calibration (Agfa and Carestream). This establishes the operating reference density levels for identifying the baseline values and for adjusting to desired gray level



**Figure 8:** Left panel shows uneven low density compared to middle part of the image needing a print head profile calibration. Right panel shows image print limited to a vertical half due to dust at DICOM raster engine

## References

- Gahleitner A, Kreuzer S, Schick S, Nowotny R, Breitenseher M, Solar P, et al. Dry versus conventional laser imagers: Film properties and image quality. *Radiology* 1999;210:871-5.
- Stewart M. Laser camera. A better view of life. From the beginning into the future, Kodak's health imaging division. Available from: <http://www.e-radiography.net/cr/Laser%20Imager.pdf>. [accessed on 2010 Nov 12].
- Neri LA. Keep an eye on dry. *Med Imaging* 1996;2:47-51.
- Nagda R. Medical hard copy devices: A review. *Kodak (India) Radiograph*; p. 47-67
- Borden M. Laser camera sales and service companies how fast are the wet and dry markets drying up? Or are the doomsayers all wet? *DOTmed business news*. Available from: <http://www.dotmed.com/images/magazine/archive/072007.pdf>. [accessed on 2010 Nov 15].
- Konica SRX 201A\_Brochure. Available from: [http://www.konicaminolta.com/content/download/10885/133180/SRX+201A\\_Brochure.pdf](http://www.konicaminolta.com/content/download/10885/133180/SRX+201A_Brochure.pdf). [accessed on 2010 Nov 15].
- Kodak DryView 8900 laser imager user guide. Available from: [http://www.carestreamhealth.com/dv8900\\_userGuide\\_5E6155.pdf](http://www.carestreamhealth.com/dv8900_userGuide_5E6155.pdf). [accessed on 2010 Nov 15].
- Agfa Axys. Available from: [http://www.crzelarayan.com.ar/Axys/Preinstalacion\\_Axys.pdf](http://www.crzelarayan.com.ar/Axys/Preinstalacion_Axys.pdf). [accessed on 2010 Nov 15].
- New X-ray processors. Available from: [http://www.amberusa.com/new\\_processors.asp](http://www.amberusa.com/new_processors.asp). [accessed on 2010 Nov 11].
- Kodak DryView 6800 laser imager. Available from: <http://www.carestreamhealth.com/kodak-DryView-6800-laser-imager-system.html>. [accessed on 2010 Nov 15].
- Laser. Available from: <http://en.wikipedia.org/wiki/Laser>. [accessed on 2010 Nov 19].
- Goulekas KE. Visual effects in a digital world. Morgan Kaufmann Publishers; 2001. p. 273.
- Recording the television image. Chesney's radiographic imaging. In: Ball J, Price T, editors. Wiley-Blackwell; 6<sup>th</sup> ed, 1998. p. 334.
- Recording the television image. Chesney's radiographic imaging. Eds Ball J, Price T, Wiley-Blackwell; 6<sup>th</sup> Ed, 1998. p. 333.
- Networking tutorial. Available from: <http://www.comptechdoc.org/independent/networking/guide/netguide.pdf>. [accessed on 2010 Nov 30].
- Kodak DryView 5800 Laser Imager brochure. Available from: [http://www.carestreamhealth.com/dv5800\\_brochure\\_M2-300.pdf](http://www.carestreamhealth.com/dv5800_brochure_M2-300.pdf). [accessed on 2010 Nov 28].
- DICOM 3.0 Conformance Statements Available from: [http://www.agfa.com/fr/he/service\\_assistance/interoperability/dicom/conformance\\_statements/index.jsp](http://www.agfa.com/fr/he/service_assistance/interoperability/dicom/conformance_statements/index.jsp). [accessed on 2010 Nov 21].
- Kodak PACS Link Medical Image Manager Print Server (SCP) DICOM Conformance Statement. Available from: <http://sysdoc.doors.ch/KODAK/3E5252>. [accessed on 2010 Nov 23].
- Clunie DA. DICOM Softcopy Presentation State Storage and Print Presentation LUT Available from: [http://www.dclunie.com/papers/spie\\_mi\\_nema\\_softcopy.pdf](http://www.dclunie.com/papers/spie_mi_nema_softcopy.pdf). [accessed on 2010 Nov 3].
- Max D. Hardware needs. Chapter 4 Scanners Introduction to digital publishing. Bergsland D, OnWord Press Vol. 1, 2<sup>nd</sup> ed, 2002. p. 105.
- The world's only 100-megapixel dry medical imager. Available from: <http://www.multiimager.com/pdf/DryView%208900a1.pdf>. [accessed on 2010 Nov 11].
- Printers - DPI Printing Guide. Available from: [http://www.castleink.com/\\_a-dpi-printing-guide.html](http://www.castleink.com/_a-dpi-printing-guide.html). [accessed on 2010 Dec 6].
- Making sense of DPI, PPI, Megapixels and Resolution. Available from: <http://www.atiz.com/resources/DPI-PPI-Megapixels-and-Resolution.pdf>. [accessed on 2010 Dec 3].
- Kodak DryView 6800 laser imager brochure. Available as [dv6800\\_brochure\\_M2-294.pdf](http://www.carestreamhealth.com/dv6800_brochure_M2-294.pdf). Available from: [http://www.carestreamhealth.com/dv6800\\_brochure\\_M2-294.pdf](http://www.carestreamhealth.com/dv6800_brochure_M2-294.pdf). [accessed on 2010 Nov 23].
- Krupinski EA, Williams MB, Andriole K, Strauss KJ, Applegate K, Wyatt M, et al. Digital radiography image quality: Image processing and display. *J Am Coll Radiol* 2007;4:389-400.
- Agfa Drystar™ 5503 Datasheet. Available from: <http://www.originindustries.com/Assets/Drystar%205503%20Data%20Sheetb.pdf>. [accessed on 2010 Nov 27].
- Carestream DryView 5850 Laser Imager Brochure. Available from: [http://www.carestreamhealth.com/dv5850\\_brochure\\_M2-411.pdf](http://www.carestreamhealth.com/dv5850_brochure_M2-411.pdf). [accessed on 2010 Dec 2].
- Cartridge recognition technology. Available from: <http://www.carestreamhealth.com/kodak-DryView-laser-imaging-film.html>. [accessed on 2010 Nov 17].
- Automatic Image Quality Control (AIQC) system Available from: <http://www.carestreamhealth.com/kodak-DryView-6800-laser-imager-system.html>. [accessed on 2010 Nov 11].
- Fuji Medical Dry Laser Imager Product Sheet Available from: <http://www.multiimager.com/pdf/DryPix7000.pdf> [accessed on 2010 Nov 19].
- Advanced Variable Response (A-VR) Spline Interpolation. Available from: [http://www.fujifilm.com/products/medical/technologies/a\\_vr/](http://www.fujifilm.com/products/medical/technologies/a_vr/) [accessed on 2010 Nov 25].
- Kodak mammography Film. Available from: <http://www.carestreamhealth.com/mammography.html> [accessed on 2010 Nov 11].
- Drystar DT2 mammography film Available from: [http://www.agfahealthcare.com/global/en/main/products\\_services/digital\\_hardcopy\\_imaging/dry\\_media/drystar\\_dt2\\_mammo.jsp](http://www.agfahealthcare.com/global/en/main/products_services/digital_hardcopy_imaging/dry_media/drystar_dt2_mammo.jsp) [accessed on 2010 Nov 11].
- Tsalafoutas IA, Tsapaki V, Koulentianos E, Triantopoulou C. Quality control of a laser camera with the SMPTE test pattern: Optical density variations with printing format and frame position. *Br J Radiol* 2004;77:52-6.
- Lu ZF, Nickoloff EL, Terilli T. Monthly monitoring program on DryView™ laser imager: One year experience on five Imation units. *Med Phys* 1999;26:1817.
- Weberling R. DryView laser imager: A new and economical image recording process. *Aktuelle Radiol* 1996;6:355-60.
- Gray JE, Anderson WF, Shaw CC, Shepard J, Zeremba LA, Lin PP. Multiformat video and laser cameras: History, design considerations, acceptance testing and quality control: Report of AAPM Diagnostic X-ray Imaging Committee Task Group No 1. *Med Phys* 1993;20:427-38.
- Agfa Drystar 5300 manual. Available from: [http://accessories.euro.gehealthcare.com/docs/pro/MID%20Printing%20Solutions%20and%20Video%20Systems/FILM%20IMAGERS/Agfa/Agfa\\_Drystar5300\\_manual\\_part2\\_eng.pdf](http://accessories.euro.gehealthcare.com/docs/pro/MID%20Printing%20Solutions%20and%20Video%20Systems/FILM%20IMAGERS/Agfa/Agfa_Drystar5300_manual_part2_eng.pdf). [accessed on 2010 Nov 13].
- Kodak DryView DVB Laser Imaging Film 4675 Available from: [http://www.carestreamhealth.cn/dvDVB-DVC-DVBplusFilm\\_techInfo\\_ti5021.pdf](http://www.carestreamhealth.cn/dvDVB-DVC-DVBplusFilm_techInfo_ti5021.pdf). [accessed on 2010 Nov 17].
- X-ray Film. Available from: <http://walshxray.com/xrayfilm.htm> [accessed on 2010 Nov 5].
- An Introduction to Photothermography. Sahyun MRV Available from: <http://www.imaging.org/ist/resources/tutorials/photothermography.cfm> [accessed on 2010 Nov 1].
- Bollen R. Method for providing hard copies of radiological images Available from: <http://www.freepatentsonline.com/5549996.pdf>. [cited in 2010].

43. Kodak Professional High-Speed Infrared Film Available from: <http://www.kodak.com/global/en/professional/support/techPubs/f13/f13.pdf>. [accessed on 2010 Nov 24].
44. Technical Information Sheets Available from: <http://www.carestreamhealth.com/ti.html> [accessed on 2010 Nov 24].
45. AuntMinnie.com Buyer's Guide Available from: <http://www.auntminnie.com/index.asp?sec=vdpandsub=productsandpag=productsearchandtypeid=10239andfilterdefault=on> [accessed on 2010 Nov 24].
46. Advance for Imaging and Oncology Administrators Available from: [http://imaging-radiation-oncology.advancweb.com/sharedresources/advanceforioa/resources/DownloadableResources/AR\\_chartsmart\\_aug02.pdf](http://imaging-radiation-oncology.advancweb.com/sharedresources/advanceforioa/resources/DownloadableResources/AR_chartsmart_aug02.pdf) [accessed on 2010 Nov 20].
47. Laser Imagers. Available from: <http://www.jzimaging.com/laser%20imagers.htm> [accessed on 2010 Nov 22].
48. CMX Medical Imaging Available from: <http://cmxmedicalimaging.com/content/pdf.php?nbr=91> [accessed on 2010 Nov 23].
49. Walker GE. Available from: <http://gewalker.org/content/pdf.php?nbr=249> [accessed on 2010 Nov 19].

**Cite this article as:** Indrajit IK, Alam A, Sahni H, Bhatia M, Sahu S. Dry imaging cameras. *Indian J Radiol Imaging* 2011;21:82-9.

**Source of Support:** Nil, **Conflict of Interest:** None declared.

## Announcement

### "Quick Response Code" link for full text articles

The journal issue has a unique new feature for reaching to the journal's website without typing a single letter. Each article on its first page has a "Quick Response Code". Using any mobile or other hand-held device with camera and GPRS/other internet source, one can reach to the full text of that particular article on the journal's website. Start a QR-code reading software (see list of free applications from <http://tinyurl.com/yzlh2tc>) and point the camera to the QR-code printed in the journal. It will automatically take you to the HTML full text of that article. One can also use a desktop or laptop with web camera for similar functionality. See <http://tinyurl.com/2bw7fn3> or <http://tinyurl.com/3ysr3me> for the free applications.